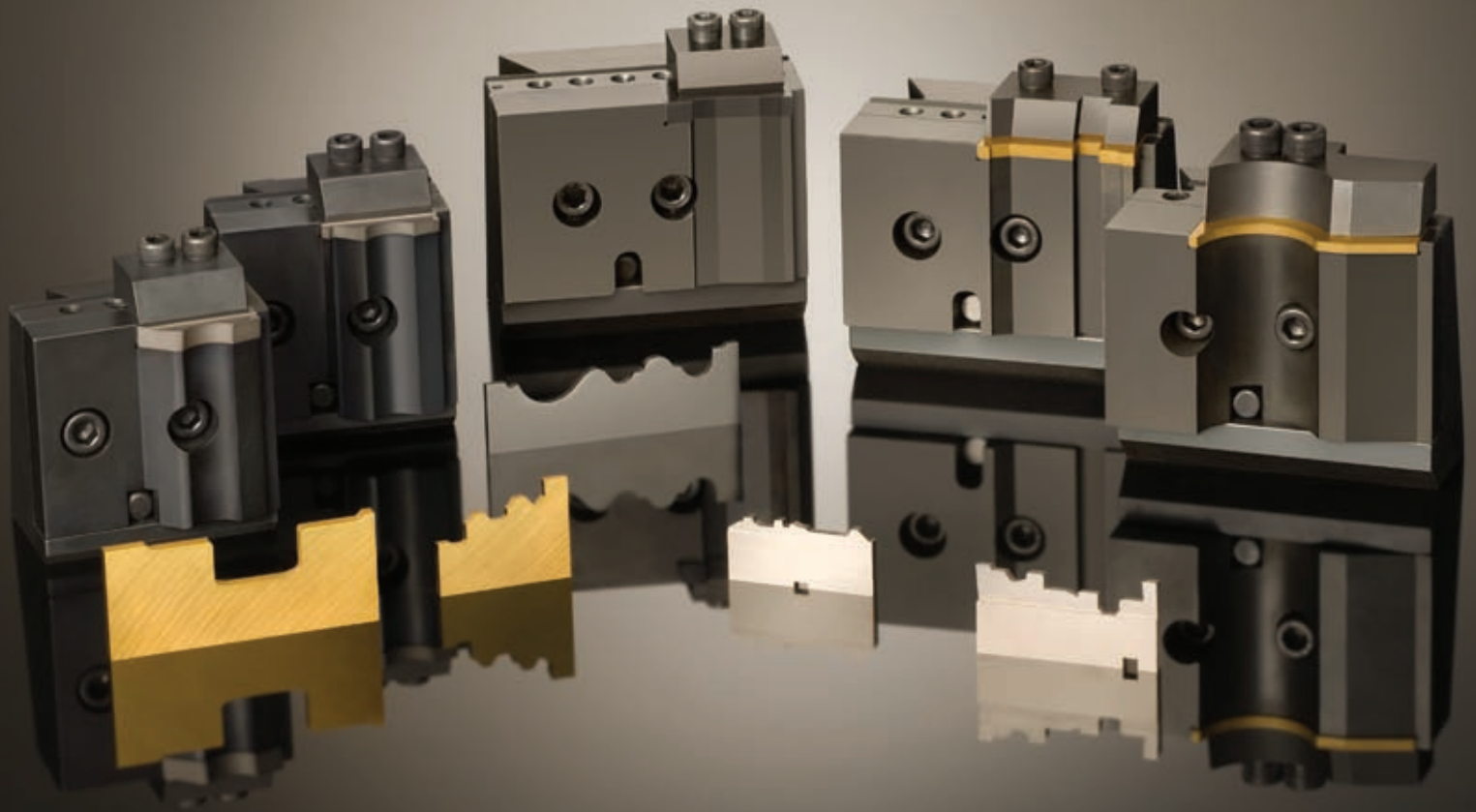




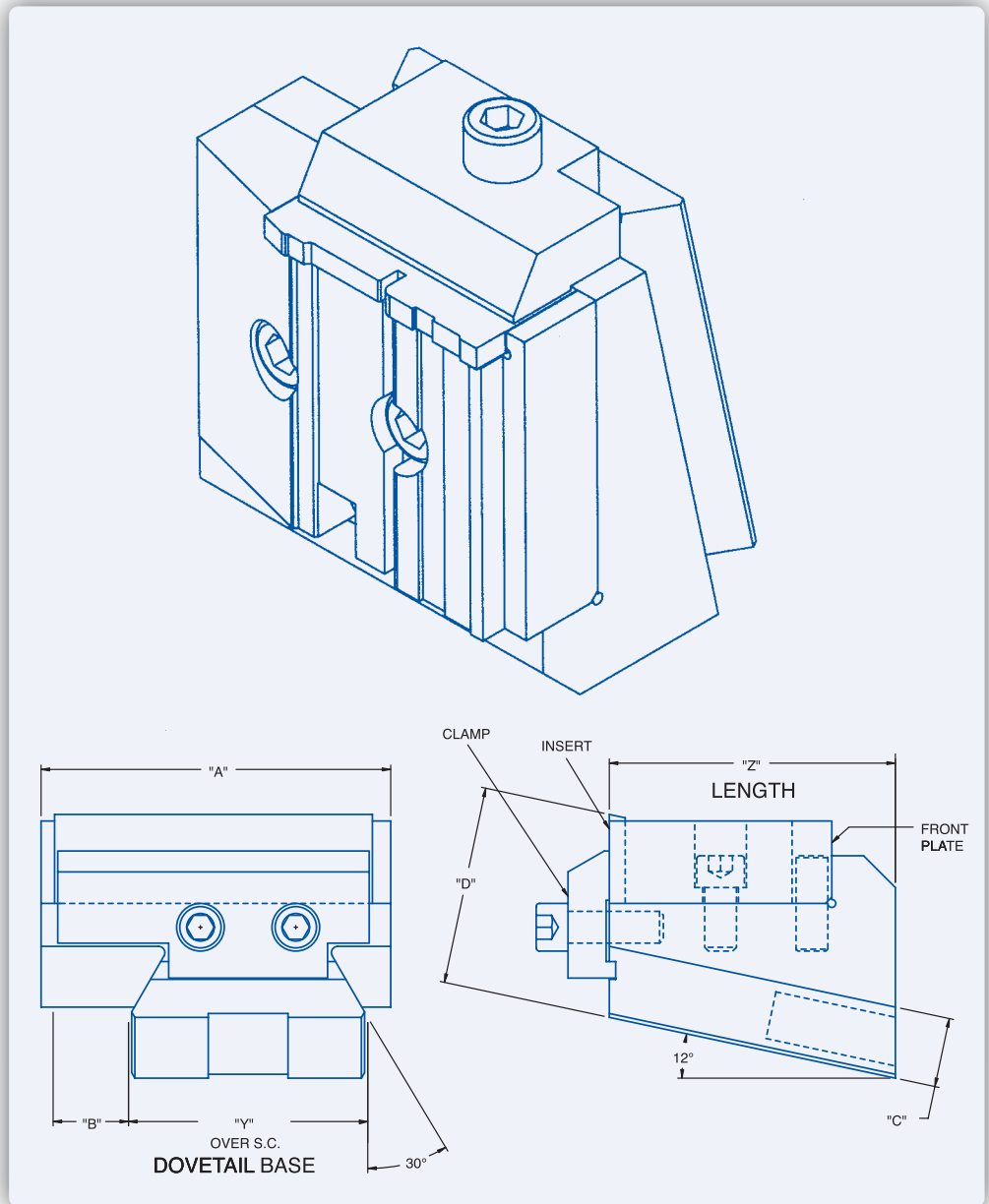
**Posa-Cut Corporation**



**DOUBLE DATUM TOOLING**

# DOUBLE DATUM TOOLING

- Ideal for Short & Long Run Environments
- Reduced Downtime
  - Fewer Tool Changes
  - Faster Tool Changeover
  - Design Accommodates Radial & Axial Differences Between Parts
- Improved Productivity
  - Optimal Geometries, Grades & Coatings Designed for Any Application
  - Eliminates Downtime Due to Resharpenering
- Interchangeable Components
  - Allows Switching Between Parts with Ease
  - Minimizes Machine Downtime & Adjustments
- Insert Tooling
  - Increased Tool Life
  - Superior Surface Finish
  - Improved Geometries
  - Available in a Variety of Grades & Coatings
- Full Service Engineering Department
  - Custom Designs Available
- Expedited Delivery Available



Dimensions (inches):

DOVETAIL	Y	Z	A	B	C	D
5/8	0.9510	2.000	1.563	0.1250	0.297	1.475 max
5/8	0.9510	2.000	2.000	0.5625	0.297	1.475 max
1-1/4	1.8820	2.250	2.313	0.1250	0.547	1.560 max
1-1/4	1.8820	2.250	2.750	0.5625	0.547	1.560 max

Also available for other multi-spindle machines.



23600 Haggerty Road · Farmington Hills, MI 48335 · 800-966-POSA (7672) · 248-474-5620 ph · 248-474-0630 fax

[www.posacut.com](http://www.posacut.com)